

UpRight AB38/ AB38 Lite

boom lifts

compact articulated

Working heights up to
44ft.(13.5m.)

Excellent up-and- over
ability with 20ft.(6.1m.)
working outreach at 17.75ft.
(5.4m.) clearance height

Simple one hand
proportional control

Tight inside turning radius
compact 16in.(0.4m.)

Efficient direct
electric drive

Optional platform rotator

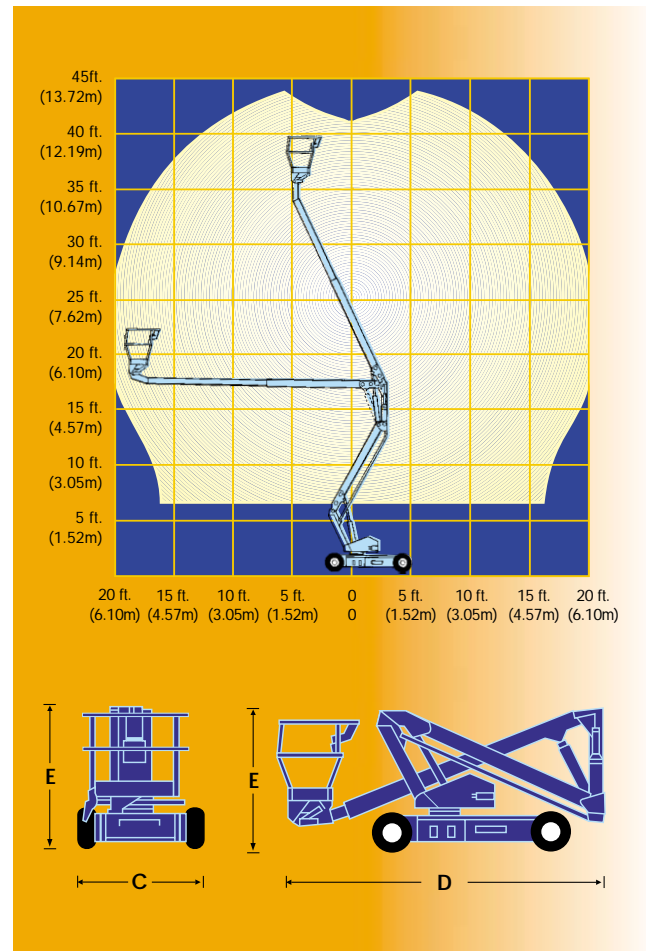
5 year structural warranty



Photograph shown CE. model

specifications	AB38	AB38 Lite
working height (max.)	44ft. 2in. (13.45m.)*	44ft. 2in. (13.45m.)*
platform height (max.)	37ft. 7in. (11.45m.)	37ft. 7in. (11.45m.)
working outreach (max.)	18ft. 4in. (5.60m.)	18ft. 4in. (5.60m.)
clearance height at max. outreach	17.72ft. (5.40m.)	17.72ft. (5.40m.)
platform capacity - 2 persons	475lbs. (215kg.)	475lbs. (215kg.)
platform size - outside	24in. x 48in. (0.6m. x 1.2m.)	
overall width C	4ft. 11in. (1.50m.)	5ft. 6in. (1.71m.)
overall length D	13ft. 3in. (4.04m.)	13ft. 3in. (4.04m.)
stowed height E	6ft. 5in. (2.0m.)	6ft. 5in. (2.0m.)
inside turning radius	1ft. 3in. (0.4m.)	1ft. 3in. (0.4m.)
outside turning radius	7ft. 10in. (2.4m.)	8ft. 7in. (2.66m.)
ground clearance	6in. (150mm.)	6in. (150mm.)
gross weight - ANSI version	8,822lbs. (4,010kg.)	7,470lbs (3,388kg.)
drive speed stowed	2.5mph. (4km/h.)	2.5mph. (4km/h.)
drive speed elevated	0.43mph. (0.7 km/h.)	0.43mph. (0.7 km/h.)
gradeability	36% (19.5 degrees)	36% (19.5 degrees)
power source	8 x 6V 220 Ah batteries	
controls	one handed proportional control	

* Working height in the U.S. is 6ft. above platform height. Metric working height is 2m. above platform height.
 Specifications subject to change without notice. Photos and diagrams in this brochure are for promotional purposes only.
 Refer to appropriate UpRight Operator's manual for detailed instructions on the proper use and maintenance of this equipment.



standard features

- Proportional one-hand controller
- Minimal front boom overhang
- Ultra-tight inside turning radius
- Tilt alarm
- Large, two person platform
- Direct DC drive parallel wired wheel motors
- Non-marking tires
- Duplicate boom controls at ground level
- 1 year parts/service
- 5 year structural warranty

options

- Flashing amber beacon
- Power cable to platform
- Manual platform rotator
- Special paint colors
- Environmental green oil

Meets or exceeds applicable requirements of OSHA and ANSI A92.5 - 1999.

CE This product is available with the CE mark confirming compliance with all relevant European Machinery Directives

manufactured by
UpRight



Manual platform rotator (optional)



Class leading turning radius.



Compact stowed dimensions.

UpRight

www.upright.com
 e-mail: marketing@upright.com

GLOBAL PROVIDER OF ACCESS SOLUTIONS

MANUFACTURING

North America
 Tel + 1 (559) 662 3900
 Fax + 1 (559) 673 6184

Europe
 Tel + 353 1 620 9300
 Fax + 353 1 620 9301

SALES

USA / The Americas
 Tel + 1 (559) 662 3900
 Fax + 1 (559) 673 6184

Europe/Africa/M. East
 Tel + 44 (0) 1952 685 200
 Fax + 44 (0) 1952 685 255

France
 Tel + 33 130 37 05 44
 Fax + 33 130 37 63 68

Germany
 Tel + 49 2103 98950
 Fax + 49 2103 989549

Singapore
 Tel + 65 6324 1322
 Fax + 65 6225 5157

Australia
 Tel + 61 2 9748 6200
 Fax + 61 2 9748 6255

P. R. China
 Tel + 86 21 63390190
 Fax + 86 21 63390191

Japan
 Tel + 81 3 5765 6841
 Fax + 81 3 5765 6840